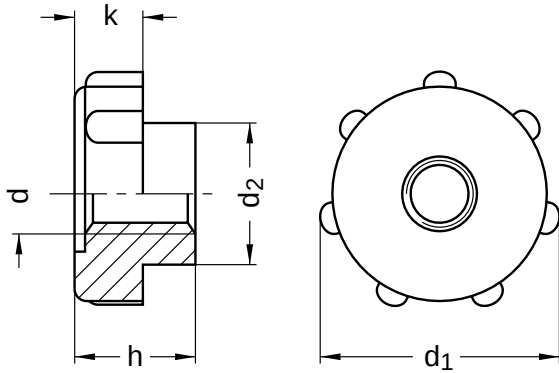


**B 466 G**

**Knurled nuts**

High form | coarse knurling

Plastic Polyamide white | Cr(VI)-free | Metric thread



Diameter (d)	d <sub>1</sub> nominal size	d <sub>2</sub> max.	h max.	k max.	Pitch (P)
M4	16	9.5	8	4.5	0.7
M5	16	9.5	8	4.5	0.8
M6	16	9.5	8	4.5	1.0
	24	13.0	11	6.0	

All technical data refer to the measure mm

