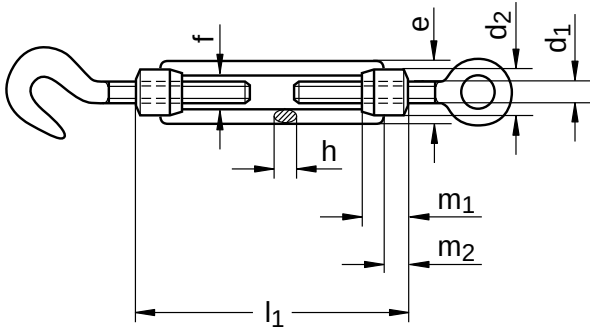


DIN 1480 H
Turnbuckle nuts

Forged | with eyelet and hook

Steel | zinc-plated | Cr(VI)-free



Diameter (d)	d ₁		d ₂		e			f	h	l ₁	m ₁	m ₂	Pitch (P)
	nominal size	nominal size	min.	max.	nominal size	max.	min.	nominal size	min.		nominal size		
M6	M 6	12	11.5	12.9	19	19.9	18.5	9	6	110	12	6	1.00
M8	M 8	15	14.5	15.9	23	23.9	22.5	11	8	110	15	8	1.25
M10	M 10	18	17.5	18.9	30	30.9	29.5	14	9	125	18	9	1.50
M12	M 12	21	20.5	21.9	34	35.1	33.5	16	11	125	21	11	1.75
M16	M 16	27	26.5	27.9	42	43.1	41.5	20	14	170	27	14	2.00
M20	M 20	34	33.5	35.1	52	53.1	51.5	24	17	200	34	17	2.50
M24	M 24	39	38.5	40.1	60	61.1	59.5	28	20	255	39	20	3.00

Length (l) nominal size
110
125

Length (l) nominal size
170
200
255

Diameter (d)	Length (l)				
	110	125	170	200	255
M6	●				
M8	●				
M10		●			
M12		●			
M16			●		
M20				●	
M24					●

• Combinations available in the eShop | Other sizes on request

All technical data refer to the measure mm

