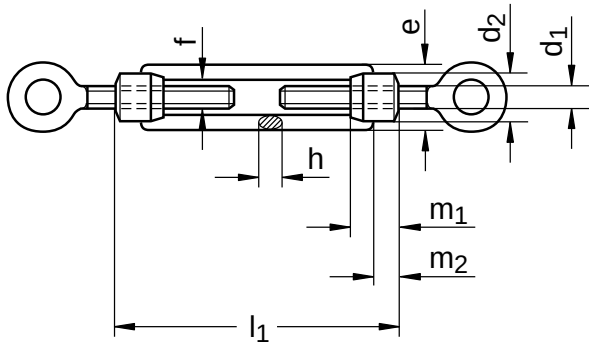


DIN 1480 R

Turnbuckle nuts

Forged | open body form with two eyes

Steel | zinc-plated | Cr(VI)-free



Diameter (d)	d ₁		d ₂		e			f	h	l ₁	m ₁	m ₂	Pitch (P)
	nominal size	nominal size	min.	max.	nominal size	max.	min.	nominal size	min.		nominal size		
M8	M 8	15	14.5	15.9	23	23.9	22.5	11	8	110	15	8	1.25
M10	M 10	18	17.5	18.9	30	30.9	29.5	14	9	125	18	9	1.50
M12	M 12	21	20.5	21.9	34	35.1	33.5	16	11	125	21	11	1.75
M16	M 16	27	26.5	27.9	42	43.1	41.5	20	14	170	27	14	2.00
M20	M 20	34	33.5	35.1	52	53.1	51.5	24	17	200	34	17	2.50
M24	M 24	39	38.5	40.1	60	61.1	59.5	28	20	255	39	20	3.00
M30	M 30	45	44.4	46.2	74	75.2	73.4	34	23	255	45	23	3.50

Length (l) nominal size
110
125

Length (l) nominal size
170
200
255

All technical data refer to the measure mm

Diameter (d)	Length (l)				
	110	125	170	200	255
M8	●				
M10		●			
M12		●			
M16			●		
M20				●	
M24					●
M30					●

• Combinations available in the eShop | Other sizes on request

