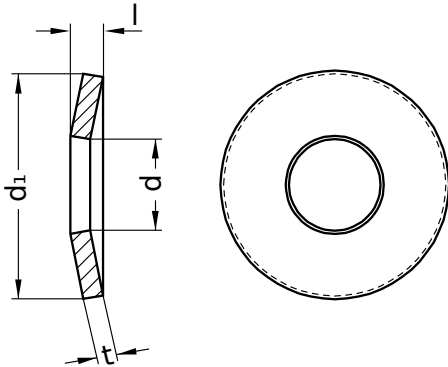


DIN 2093 A
Disc springs

Series A

Steel | bright | Cr(VI)-free



Diameter (d)	d ₁ nominal size	t nominal size	Length (l) nominal size
4.2	8	0.40	0.60
5.2	10	0.50	0.75
6.2	12.5	0.70	1.00
7.2	14	0.80	1.10
8.2	16	0.90	1.25
9.2	18	1.00	1.40
10.2	20	1.10	1.55
11.2	22.5	1.25	1.75
12.2	25	1.50	2.05
14.2	28	1.50	2.15
16.3	31.5	1.75	2.45
18.3	35.5	2.00	2.80
20.4	40	2.25	3.15
22.4	45	2.50	3.50
25.4	50	3.00	4.10
28.5	56	3.00	4.30
31	63	3.50	4.90
36	71	4.00	5.60
41	80	5.00	6.70
46	90	5.00	7.00
51	100	6.00	8.20

All technical data refer to the measure mm

