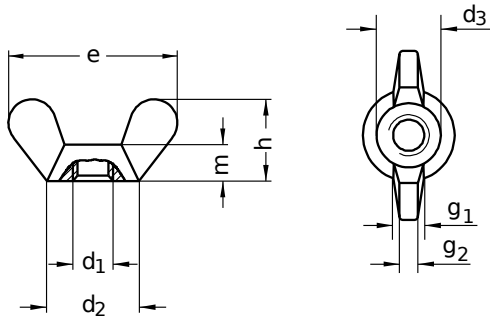


**DIN 315**

**Wing nuts**

Round wing shape (German form)

Stainless steel A4 | Cr(VI)-free | Metric thread



Diameter (d)	d <sub>1</sub> nominal size	d <sub>2</sub>		d <sub>3</sub>		e		g <sub>1</sub>		g <sub>2</sub>		h		m		Pitch (P)
		min.	max.	min.	max.	max.	min.	min.	max.	min.	max.	min.	max.	min.	max.	
M4	M 4	6	8	5.5	7.0	20	18	1.1	1.9	1.7	2.3	8.5	10.5	3.2	4.6	0.70
M6	M 6	10	13	9.0	11.0	33	30	1.5	2.3	2.7	3.3	15.0	17.0	5.0	8.0	1.00
M8	M 8	13	16	10.5	12.5	39	36	2.0	2.8	3.6	4.4	18.0	20.0	6.5	10.0	1.25
M10	M 10	17	20	14.5	16.5	51	48	3.6	4.4	4.6	5.4	23.0	25.0	8.0	12.0	1.50
M12	M 12	20	23	17.5	19.5	65	62	4.1	4.9	5.6	6.4	31.0	33.5	10.0	14.0	1.75
M16	M 16	26	29	21.0	23.0	73	70	5.6	6.4	6.5	7.5	35.0	37.5	13.0	17.0	2.00

All technical data refer to the measure mm

