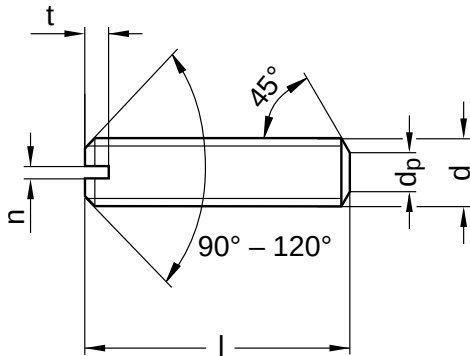
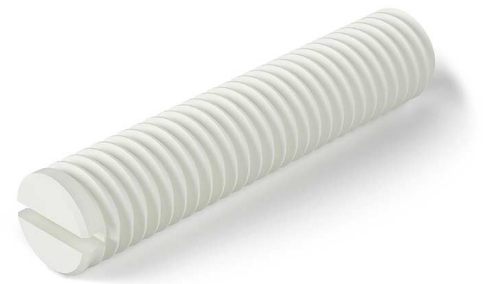


DIN 551 similar to ISO 4766

Set screws

With slot and chamfer end

Plastic Natural polyamide | Cr(VI)-free | Metric thread
 Further information: DIN standard has been withdrawn



Diameter (d)	d _p		nominal size	n		Pitch (P)	t	
	min.	max.		min.	max.		max.	min.
M3	1.75	2.0	0.4	0.46	0.60	0.50	1.05	0.80
M3.5	1.95	2.2	0.5	0.56	0.70	0.60	1.21	0.96
M4	2.25	2.5	0.6	0.66	0.80	0.70	1.42	1.12
M5	3.20	3.5	0.8	0.86	1.00	0.80	1.63	1.28
M6	3.70	4.0	1.0	1.06	1.20	1.00	2.00	1.60
M8	5.20	5.5	1.2	1.26	1.51	1.25	2.50	2.00
M10	6.64	7.0	1.6	1.66	1.91	1.50	3.00	2.40

nominal size	Length (l)	
	min.	max.
3.5	3.30	3.70
4.0	3.75	4.25
5.0	4.75	5.25
6.0	5.70	6.30
8.0	7.70	8.30
10.0	9.70	10.30

nominal size	Length (l)	
	min.	max.
13.5	13.10	13.90
15.0	14.60	15.40

Diameter (d)	Length (l)							
	3.5	4	5	6	8	10	13.5	15
M3	●				●	●		
M3.5	●							
M4		●			●	●		
M5			●	●	●	●		
M6				●	●	●		
M8						●	●	
M10								●

• Combinations available in the eShop | Other sizes on request

All technical data refer to the measure mm

