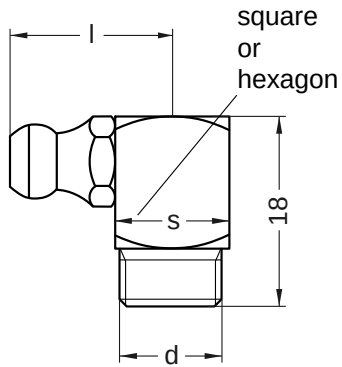


**DIN 71412 C**

**Conical grease nipple**

Form C: 90° head position

Steel 5.8 | zinc-plated | Cr(VI)-free | Imperial thread



Diameter (d)	s nominal size	Length (l) nominal size
R 1/8	11	15.3

All technical data refer to the measure mm

