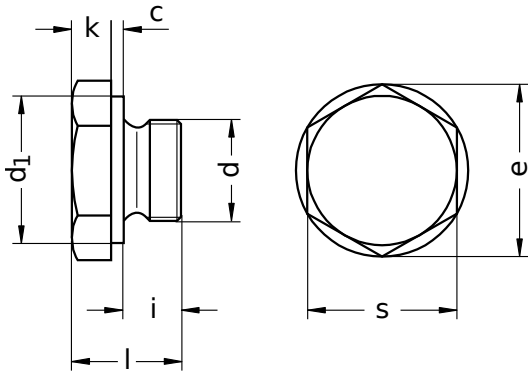


DIN 7604

Locking screws

Form A | Hexagon head | light version

Steel | bright | Cr(VI)-free | Cylindrical metric fine thread



Diameter (d)	c		d ₁ nominal size	i	k nominal size	e min.	s nominal size
	min.	max.					
M10 x 1	0.5	0.7	14	6	4	15.33	14
M12 x 1.5	0.5	0.7	17	9	6	18.72	17
M14 x 1.5	0.5	0.7	19	9	6	20.88	19
M16 x 1.5	0.5	0.7	21	9	6	23.91	22
M18 x 1.5	2.0	2.2	23	9	6	18.72	17
M22 x 1.5	2.0	2.2	27	9	6	20.88	19
M26 x 1.5	2.5	2.7	31	9	8	23.91	22
M30 x 1.5	2.5	2.7	36	9	8	23.91	22

Diameter (d)	Pitch (P)	t			Tool size	Length (l)		
		nominal size	max.	min.		nominal size	min.	max.
M10 x 1	1.0	–	–	–	SW 14	10.5	9.60	11.40
M12 x 1.5	1.5	–	–	–	SW 17	15.5	14.60	16.40
M14 x 1.5	1.5	–	–	–	SW 19	15.5	14.60	16.40
M16 x 1.5	1.5	–	–	–	SW 22	15.5	14.60	16.40
M18 x 1.5	1.5	8	8.6	7.7	SW 17	17.0	16.10	17.90
M22 x 1.5	1.5	8	8.6	7.7	SW 19	17.0	16.10	17.90
M26 x 1.5	1.5	8	8.6	7.7	SW 22	19.5	18.45	20.55
M30 x 1.5	1.5	8	8.6	7.7	SW 22	19.5	18.45	20.55

All technical data refer to the measure mm

