

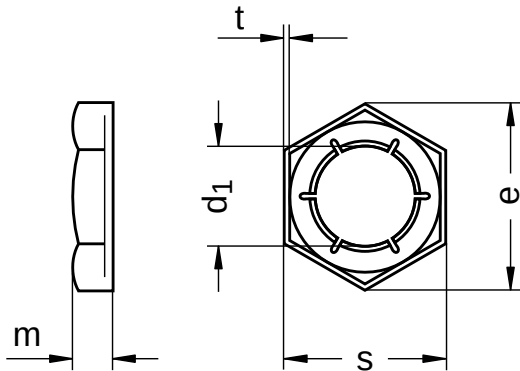
DIN 7967

Self-locking nuts

Row 1: 6 ratchets

Stainless steel A2 | Cr(VI)-free | For metrical screw

Further information: Norm has been withdrawn without replacement



| Diameter (d) | d ₁ nominal size | e nominal size | m nominal size | s nominal size | Pitch (P) | t nominal size | Tool size |
|-----------------|--------------------------------|-------------------|-------------------|-------------------|--------------|-------------------|--------------|
| M6 | 5.3 | 11.5 | 3 | 10 | 1.00 | 0.4 | SW 10 |
| M8 | 6.9 | 15.0 | 3.5 | 13 | 1.25 | 0.5 | SW 13 |
| M16 | 14.1 | 27.7 | 5 | 24 | 2.00 | 0.7 | SW 24 |
| M20 | 17.6 | 34.6 | 6 | 30 | 2.50 | 0.8 | SW 30 |
| M24 | 21 | 41.6 | 7 | 36 | 3.00 | 0.9 | SW 36 |

All technical data refer to the measure mm

