

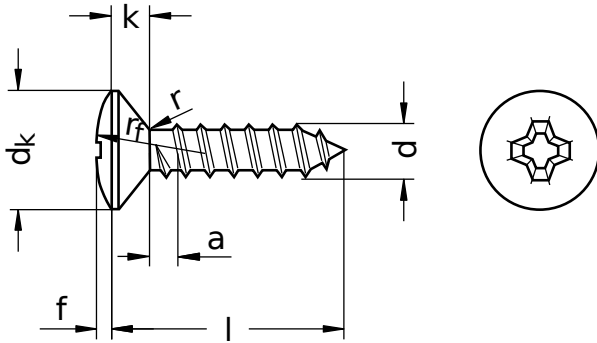
**DIN 7983** similar to ISO 7051

## Tapping screws

Raised countersunk head | cross-slot phillips | form C with cone point

Steel | zinc-plated | Cr(VI)-free | Thread type ST (sheet metal)

Further information: DIN-standard has been withdrawn | changed head measurements



Diameter (d)	a		dk		f	k	rf	r	Pitch (P)	Tool size
	max.	min.	max.	min.						
2.2	0.8	4.00	4.3	0.7	1.3	3.8	0.8	0.8	0.8	H1
2.9	1.1	5.20	5.5	0.9	1.7	4.6	1.1	1.1	1.1	H1
3.5	1.3	6.44	6.8	1.2	2.1	5.4	1.4	1.3	1.3	H2
3.9	1.3	7.14	7.5	1.3	2.3	6.0	1.5	1.3	1.3	H2
4.2	1.4	7.74	8.1	1.4	2.5	6.6	1.6	1.4	1.4	H2
4.8	1.6	9.14	9.5	1.5	3.0	8.2	1.9	1.6	1.6	H2
5.5	1.8	10.37	10.8	1.7	3.4	9.4	2.1	1.8	1.8	H3
6.3	1.8	11.97	12.4	2.0	3.8	11.1	2.4	1.8	1.8	H3

nominal size	Length (l)	
	min.	max.
6.5	5.7	7.3
8.0	7.2	8.8
9.5	8.7	10.3
13.0	12.2	13.8
16.0	15.2	16.8
19.0	18.2	19.8

nominal size	Length (l)	
	min.	max.
22.0	21.2	22.8
25.0	24.2	25.8
32.0	31.2	33.3
38.0	37.2	39.3
45.0	44.2	46.3

All technical data refer to the measure mm



**DIN 7983** similar to ISO 7051

## Tapping screws

Raised countersunk head | cross-slot phillips | form C with cone point

Steel | zinc-plated | Cr(VI)-free | Thread type ST (sheet metal)

Diameter (d)	Length (l)										
	6.5	8	9.5	13	16	19	22	25	32	38	45
2.2	●	●	●	●	●						
2.9	●	●	●	●	●	●					
3.5				●	●	●	●	●			
3.9			●	●	●	●		●			
4.2			●	●	●	●	●	●			
4.8			●	●	●	●		●	●		●
5.5				●	●	●		●	●	●	
6.3				●	●	●	●	●	●	●	

• Combinations available in the eShop | Other sizes on request

All technical data refer to the measure mm

