

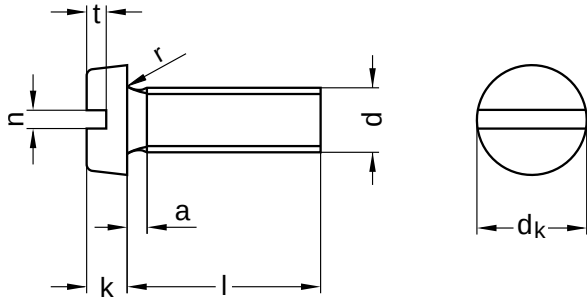
DIN 84 identical with ISO 1207

Cylinder screws

Slotted

Stainless steel A2 | Cr(VI)-free | Metric thread

Further information: DIN standard has been withdrawn



Diameter (d)	a max.	d _k		k		nominal size	n		r min.	Pitch (P)	t min.
		min.	max.	min.	max.		min.	max.			
M1	0.5	1.86	2.0	0.56	0.7	0.25	0.31	0.45	0.10	0.25	0.25
M1.2	0.5	2.16	2.3	0.66	0.8	0.30	0.36	0.50	0.10	0.25	0.30
M1.4	0.6	2.46	2.6	0.76	0.9	0.30	0.36	0.50	0.10	0.30	0.40
M1.6	0.7	2.86	3.0	0.86	1.0	0.40	0.46	0.60	0.10	0.35	0.45
M2	0.8	3.62	3.8	1.16	1.3	0.50	0.56	0.70	0.10	0.40	0.60
M2.5	0.9	4.32	4.5	1.46	1.6	0.60	0.66	0.80	0.10	0.45	0.70
M3	1.0	5.32	5.5	1.86	2.0	0.80	0.86	1.00	0.10	0.50	0.85
M3.5	1.2	5.82	6.0	2.26	2.4	1.00	1.06	1.20	0.10	0.60	1.00
M4	1.4	6.78	7.0	2.46	2.6	1.20	1.26	1.51	0.20	0.70	1.10
M5	1.6	8.28	8.5	3.12	3.3	1.20	1.26	1.51	0.20	0.80	1.30
M6	2.0	9.78	10.0	3.60	3.9	1.60	1.66	1.91	0.25	1.00	1.60
M8	2.5	12.73	13.0	4.70	5.0	2.00	2.06	2.31	0.40	1.25	2.00
M10	3.0	15.73	16.0	5.70	6.0	2.50	2.56	2.81	0.40	1.50	2.40

nominal size	Length (l)	
	min.	max.
2	1.80	2.20
3	2.80	3.20
4	3.76	4.24
5	4.76	5.24
6	5.76	6.24
8	7.71	8.29
10	9.71	10.29
12	11.65	12.35
14	13.65	14.35
16	15.65	16.35
18	17.65	18.35
20	19.58	20.42

nominal size	Length (l)	
	min.	max.
22	21.58	22.42
25	24.58	25.42
30	29.58	30.42
35	34.50	35.50
40	39.50	40.50
45	44.50	45.50
50	49.50	50.50
60	59.05	60.95
70	69.05	70.95
80	79.05	80.95

All technical data refer to the measure mm



DIN 84 identical with ISO 1207

Cylinder screws

Slotted

Stainless steel A2 | Cr(VI)-free | Metric thread

Diameter (d)	Length (l)																					
	2	3	4	5	6	8	10	12	14	16	18	20	22	25	30	35	40	45	50	60	70	80
M1		●	●																			
M1.2		●	●		●		●															
M1.4		●	●	●	●	●																
M1.6	●	●	●		●	●	●															
M2		●	●	●	●	●	●	●		●	●	●										
M2.5		●	●	●	●	●	●	●		●	●	●	●	●								
M3			●	●	●	●	●	●	●		●	●	●	●	●	●						
M3.5				●	●	●	●	●	●		●	●	●	●	●	●						
M4			●	●	●	●	●	●	●	●	●	●		●	●	●	●	●		●	●	●
M5					●	●	●	●		●	●	●	●	●	●	●	●	●	●	●	●	
M6						●	●	●		●	●	●	●	●	●	●	●	●	●		●	●
M8							●	●		●				●	●	●	●	●	●		●	●
M10									●		●			●	●	●	●	●	●		●	

• Combinations available in the eShop | Other sizes on request

All technical data refer to the measure mm

