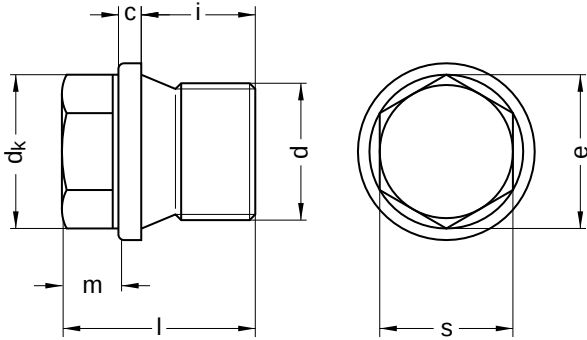


DIN 910
Locking screws

Hexagon head with flange

Steel | zinc-plated | Cr(VI)-free | Cylindrical metric fine thread



Diameter (d)	c		dk nominal size	i	m nominal size	e min.	s nominal size	Pitch (P)	Tool size
	nominal size	max.							
M10 x 1	3	3.5	14	8	6	10.89	10	1.0	SW 10
M12 x 1.5	3	3.5	17	12	6	14.20	13	1.5	SW 13
M14 x 1.5	3	3.5	19	12	6	14.20	13	1.5	SW 13
M16 x 1.5	3	3.5	21	12	6	17.59	16	1.5	SW 17
M18 x 1.5	4	4.5	23	12	8	17.59	16	1.5	SW 17
M20 x 1.5	4	4.5	25	14	8	19.85	18	1.5	SW 19
M22 x 1.5	4	4.5	27	14	8	19.85	18	1.5	SW 19

Length (l)	
nominal size	
17	
21	
24	
26	

Diameter (d)	Length (l)			
	17	21	24	26
M10 x 1	●			
M12 x 1.5		●		
M14 x 1.5		●		
M16 x 1.5		●		
M18 x 1.5			●	
M20 x 1.5				●
M22 x 1.5				●

• Combinations available in the eShop | Other sizes on request

All technical data refer to the measure mm

