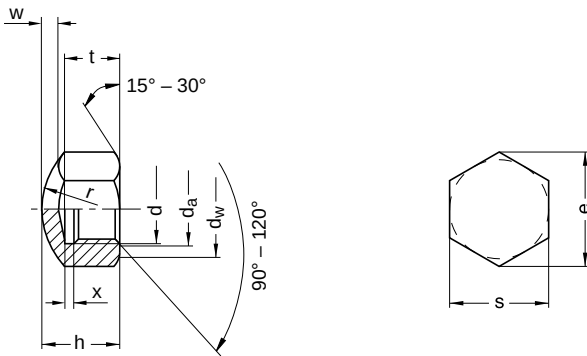


**DIN 917**  
**Hexagon cap nuts**

Low form

Stainless steel A4 | Cr(VI)-free | Metric thread

Further information: All cap nuts up to M10 comply with DIN with thread groove or recess, with recess from M12.



Diameter (d)	d <sub>a</sub>		d <sub>w</sub>	h		e	r	s		Pitch (P)	t		w	x	Tool size
	min.	max.		min.	max.			min.	max.		max.	min.			
M4	4	4.60	5.9	5.20	5.5	7.66	8	6.78	7	0.70	4.64	4.16	1.0	1.05	SW 7
M5	5	5.75	6.9	6.64	7.0	8.79	10	7.78	8	0.80	5.44	4.96	1.0	1.20	SW 8
M6	6	6.75	8.9	8.64	9.0	11.05	12	9.78	10	1.00	7.29	6.71	1.5	1.50	SW 10
M8	8	8.75	11.6	11.57	12.0	14.38	15	12.73	13	1.25	9.79	9.21	2.0	1.87	SW 13
M10	10	10.80	14.6	13.57	14.0	17.77	20	15.73	16	1.50	11.35	10.65	2.0	2.25	SW 16
M12	12	13.00	16.6	15.57	16.0	20.03	25	17.73	18	1.75	13.85	13.15	2.0	-	SW 18
M14	14	15.10	19.6	17.57	18.0	23.35	28	20.67	21	2.00	15.35	14.65	2.0	-	SW 21
M16	16	17.30	22.5	19.48	20.0	26.75	30	23.67	24	2.00	17.35	16.65	2.0	-	SW 24
M18	18	19.50	24.9	21.48	22.0	29.56	32	26.16	27	2.50	19.42	18.58	2.0	-	SW 27
M22	22	23.70	31.4	27.48	28.0	37.29	35	33.00	34	2.50	22.42	21.58	3.0	-	SW 34
M24	24	25.90	33.3	29.48	30.0	39.55	40	35.00	36	3.00	24.42	23.58	3.0	-	SW 36
M27	27	29.10	38.0	31.38	32.0	45.20	50	40.00	41	3.00	26.42	25.58	3.0	-	SW 41
M30	30	32.40	42.8	33.38	34.0	50.85	60	45.00	46	3.50	28.42	27.58	3.0	-	SW 46

All technical data refer to the measure mm

