

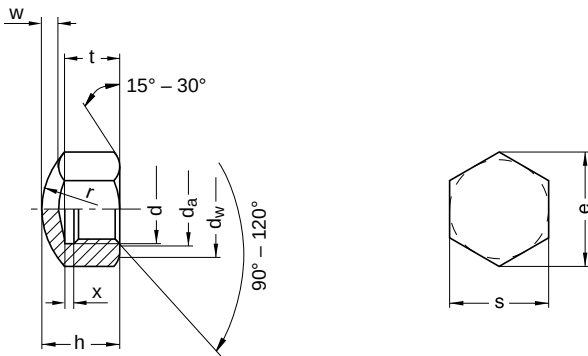
**DIN 917**

**Hexagon cap nuts**

Low form | turned

Steel 06 AU | zinc-plated | Cr(VI)-free | Metric thread

Further information: All cap nuts up to M10 comply with DIN with thread groove or recess, with recess from M12.



| Diameter<br>(d) | d <sub>a</sub> |       | d <sub>w</sub> | h     |      | e     | r  | s     |      | Pitch<br>(P) | t     |       | w   | x    | Tool<br>size |
|-----------------|----------------|-------|----------------|-------|------|-------|----|-------|------|--------------|-------|-------|-----|------|--------------|
|                 | min.           | max.  |                | min.  | max. |       |    | min.  | max. |              | max.  | min.  |     |      |              |
| M4              | 4              | 4.60  | 5.9            | 5.20  | 5.5  | 7.66  | 8  | 6.78  | 7    | 0.70         | 4.64  | 4.16  | 1.0 | 1.05 | SW 7         |
| M5              | 5              | 5.75  | 6.9            | 6.64  | 7.0  | 8.79  | 10 | 7.78  | 8    | 0.80         | 5.44  | 4.96  | 1.0 | 1.20 | SW 8         |
| M6              | 6              | 6.75  | 8.9            | 8.64  | 9.0  | 11.05 | 12 | 9.78  | 10   | 1.00         | 7.29  | 6.71  | 1.5 | 1.50 | SW 10        |
| M8              | 8              | 8.75  | 11.6           | 11.57 | 12.0 | 14.38 | 15 | 12.73 | 13   | 1.25         | 9.79  | 9.21  | 2.0 | 1.87 | SW 13        |
| M10             | 10             | 10.80 | 14.6           | 13.57 | 14.0 | 17.77 | 20 | 15.73 | 16   | 1.50         | 11.35 | 10.65 | 2.0 | 2.25 | SW 16        |
| M12             | 12             | 13.00 | 16.6           | 15.57 | 16.0 | 20.03 | 25 | 17.73 | 18   | 1.75         | 13.85 | 13.15 | 2.0 | –    | SW 18        |
| M14             | 14             | 15.10 | 19.6           | 17.57 | 18.0 | 23.35 | 28 | 20.67 | 21   | 2.00         | 15.35 | 14.65 | 2.0 | –    | SW 21        |
| M16             | 16             | 17.30 | 22.5           | 19.48 | 20.0 | 26.75 | 30 | 23.67 | 24   | 2.00         | 17.35 | 16.65 | 2.0 | –    | SW 24        |
| M20             | 20             | 21.60 | 27.7           | 24.48 | 25.0 | 32.95 | 35 | 29.16 | 30   | 2.50         | 21.42 | 20.58 | 2.5 | –    | SW 30        |
| M24             | 24             | 25.90 | 33.3           | 29.48 | 30.0 | 39.55 | 40 | 35.00 | 36   | 3.00         | 24.42 | 23.58 | 3.0 | –    | SW 36        |

All technical data refer to the measure mm

