

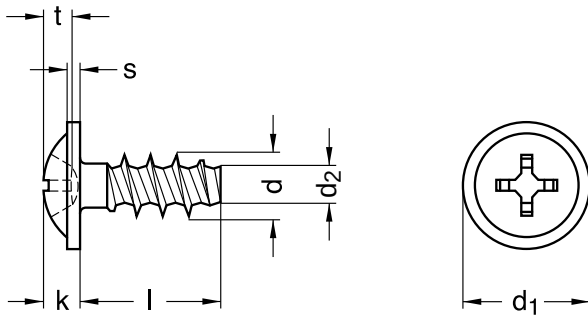
**E 1411**  
**EJOT®-PT screws**

Linsenkopf mit angepresster Scheibe | Kreuzschlitz Z (Pozidriv)

Stainless steel A2 | Cr(VI)-free | Self-tapping thread

Further information: For further information and CAD-files please follow the link to the EJOT-homepage:

<http://www.ejot.com/industry>



Diameter (d)	d <sub>1</sub> nominal size	d <sub>2</sub> nominal size	k nominal size	s		Pitch (P)	t	
				min.	max.		max.	min.
3	6	1.66	2.1	0.7	0.9	1.34	1.61	1.15
3.5	7	1.91	2.4	0.8	1.0	1.57	1.70	1.07
4	8	2.17	2.5	0.9	1.1	1.79	1.96	1.33
5	10	2.68	3.2	1.1	1.3	2.24	2.61	1.98

Length (l) nominal size
8
10

Length (l) nominal size
12
14
25

Diameter (d)	Length (l)				
	8	10	12	14	25
3			●		
3.5				●	●
4	●	●			
5			●	●	

• Combinations available in the eShop | Other sizes on request

All technical data refer to the measure mm

