

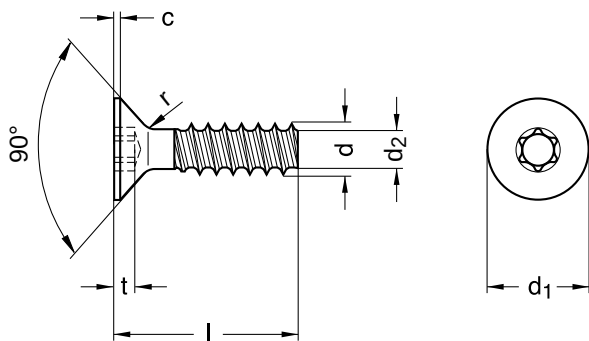
**E 5454**  
**EJOT®-Delta PT-screws**

Countersunk head | torx plus /autosert drive

Stainless steel A2 | Cr(VI)-free | Self-tapping thread

Further information: For further information and CAD-files please follow the link to the EJOT-homepage:

<http://www.ejot.com/industry>



Diameter (d)	c max.	d <sub>1</sub> nominal size	d <sub>2</sub> nominal size	r nominal size	Pitch (P)	t		Tool size
						max.	min.	
2	0.35	4	1.36	0.8	0.78	0.65	0.50	T6
2.2	0.35	4.4	1.51	0.8	0.85	0.65	0.50	T6
3	0.55	6	2.09	1.2	1.12	1.00	0.75	T10
3.5	0.65	7	2.45	1.4	1.29	1.30	0.95	T15
4	0.70	8	2.81	1.6	1.46	1.45	1.10	T20

Length (l) nominal size
5
8
9
10

Length (l) nominal size
12
14
30

Diameter (d)	Length (l)						
	5	8	9	10	12	14	30
2	●		●				
2.2		●					
3		●	●	●	●		
3.5							●
4				●	●		

• Combinations available in the eShop | Other sizes on request

All technical data refer to the measure mm

