

ISO 4017 similar to DIN 933

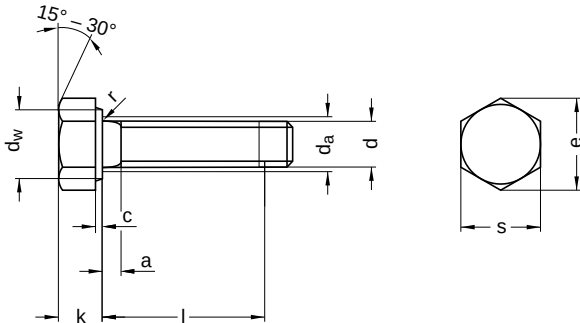
Hexagon head bolts

Hexagon head | fully threaded

Steel 5.6 | zinc-plated | Cr(VI)-free | Metric thread

Further information: DIN-standard has been withdrawn | changed spanner widths for M10, M12, M14 and M22

There is a separation into product classes A and B, with the data sheet showing the largest range of values. For more information, see the technical details of the selected article.



Diameter (d)	a		c		d _a	d _w	e	nominal size	k		r	s		Pitch (P)
	min.	max.	min.	max.	max.	min.	min.		min.	max.	min.	max.	min.	
M10	1.50	4.5	0.15	0.6	11.2	14.47	17.59	6.4	6.11	6.69	0.4	16	15.57	1.50
M12	1.75	5.3	0.15	0.6	13.7	16.47	19.85	7.5	7.21	7.79	0.6	18	17.57	1.75
M16	2.00	6.0	0.20	0.8	17.7	22.00	26.17	10.0	9.82	10.18	0.6	24	23.16	2.00

nominal size	Length (l)	
	min.	max.
20	18.95	21.05
25	23.95	26.05
30	28.95	31.05
35	33.75	36.25
40	38.75	41.25
45	43.75	46.25

nominal size	Length (l)	
	min.	max.
50	48.75	51.25
55	53.50	56.25
60	58.50	61.25

Diameter (d)	Length (l)									
	20	25	30	35	40	45	50	55	60	
M10	●	●	●		●	●				
M12			●	●	●	●	●			
M16						●		●	●	

• Combinations available in the eShop | Other sizes on request

All technical data refer to the measure mm

