

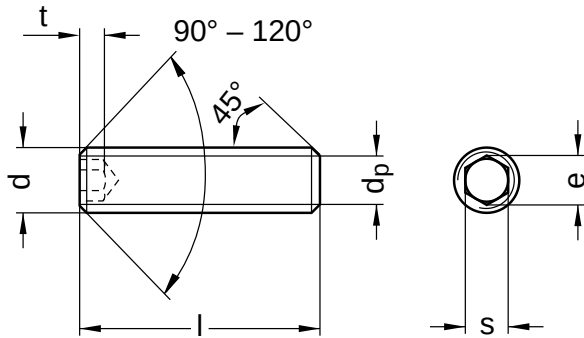
ISO 4026 similar to DIN 913

Set screws

Hexagon socket | flat point

Steel 45 H | zinc-plated | Cr(VI)-free | Metric thread

Further information: ISO-standard has been withdrawn | Threaded pins are not intended for use under tensile load



Diameter (d)	d _p		e min.	nominal size	s		Pitch (P)	t		Tool size
	min.	max.			min.	max.		min.	max.	
M2	0.75	1.0	1.01	0.9	0.89	0.91	0.40	0.8 1.7	SW 0,9	
M2.5	1.25	1.5	1.45	1.3	1.28	1.30	0.45	1.2 2.0	SW 1,3	
M3	1.75	2.0	1.73	1.5	1.52	1.58	0.50	1.2 2.0	SW 1,5	
M4	2.25	2.5	2.30	2.0	2.02	2.08	0.70	1.5 2.5	SW 2	
M5	3.20	3.5	2.87	2.5	2.52	2.58	0.80	2.0 3.0	SW 2,5	
M6	3.70	4.0	3.44	3.0	3.02	3.08	1.00	2.0 3.5	SW 3	
M8	5.20	5.5	4.58	4.0	4.02	4.10	1.25	3.0 5.0	SW 4	
M10	6.64	7.0	5.72	5.0	5.02	5.14	1.50	4.0 6.0	SW 5	
M12	8.14	8.5	6.86	6.0	6.02	6.14	1.75	4.8 8.0	SW 6	
M16	11.57	12.0	9.15	8.0	8.02	8.18	2.00	6.4 10.0	SW 8	
M20	14.57	15.0	11.43	10.0	10.02	10.18	2.50	8.0 12.0	SW 10	
M24	17.57	18.0	13.72	12.0	12.03	12.21	3.00	15.0	SW 12	

All technical data refer to the measure mm



ISO 4026 similar to DIN 913

Set screws

Hexagon socket | flat point

Steel 45 H | zinc-plated | Cr(VI)-free | Metric thread

Length (l)			Length (l)			Length (l)		
nominal size	min.	max.	nominal size	min.	max.	nominal size	min.	max.
3	2.80	3.20	16	15.65	16.35	45	44.50	45.50
4	3.76	4.24	18	17.65	18.35	50	49.50	50.50
5	4.76	5.24	20	19.58	20.42	55	54.40	55.60
6	5.76	6.24	22	21.58	22.42	60	59.40	60.60
8	7.71	8.29	25	24.58	25.42	70	69.40	70.60
10	9.71	10.29	30	29.58	30.42	80	79.40	80.60
12	11.65	12.35	35	34.50	35.50	90	89.30	90.70
14	13.65	14.35	40	39.50	40.50	100	99.30	100.70

Diameter (d)	Length (l)																								
	3	4	5	6	8	10	12	14	16	18	20	22	25	30	35	40	45	50	55	60	70	80	90	100	
M2	●		●	●	●																				
M2.5	●		●	●	●																				
M3	●	●	●	●	●	●	●		●		●														
M4		●	●	●	●	●	●		●	●	●		●		●										
M5			●	●	●	●	●		●		●		●	●	●	●									
M6		●		●	●	●	●		●		●		●	●	●	●	●								
M8					●	●	●	●	●		●	●	●	●	●	●	●	●	●	●	●	●	●	●	●
M10						●	●	●	●	●	●		●	●	●	●	●	●	●		●	●	●	●	
M12							●		●	●	●		●	●	●	●	●	●		●	●	●	●	●	
M16									●		●		●	●	●	●	●		●	●	●	●	●	●	●
M20											●		●	●	●	●	●		●	●	●	●	●	●	●
M24														●	●			●							

● Combinations available in the eShop | Other sizes on request

All technical data refer to the measure mm

