

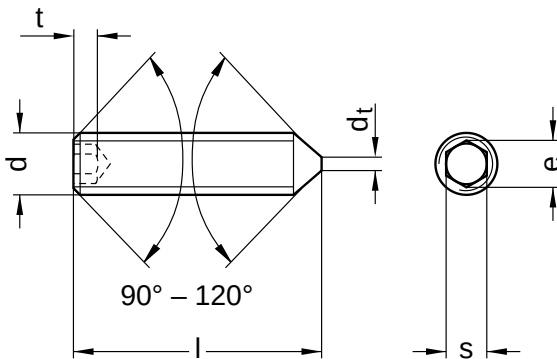
ISO 4027 identical with DIN 914

Set screws

Hexagon socket | with cone point

Stainless steel A4 | Cr(VI)-free | Metric thread

Further information: ISO-standard has been withdrawn | Threaded pins are not intended for use under tensile load



| Diameter (d) | d _t max. | e min. | s | | Pitch (P) | t min. | Tool size |
|-----------------|------------------------|-----------|--------------|---------------|--------------|-----------|--------------|
| | | | nominal size | min. / max. | | | |
| M3 | 0.75 | 1.73 | 1.5 | 1.52 / 1.58 | 0.50 | 1.2 | SW 1,5 |
| M4 | 1.00 | 2.30 | 2.0 | 2.02 / 2.08 | 0.70 | 1.5 | SW 2 |
| M5 | 1.25 | 2.87 | 2.5 | 2.52 / 2.58 | 0.80 | 2.0 | SW 2,5 |
| M6 | 1.50 | 3.44 | 3.0 | 3.02 / 3.08 | 1.00 | 2.0 | SW 3 |
| M8 | 2.00 | 4.58 | 4.0 | 4.02 / 4.10 | 1.25 | 3.0 | SW 4 |
| M10 | 2.50 | 5.72 | 5.0 | 5.02 / 5.14 | 1.50 | 4.0 | SW 5 |
| M12 | 3.00 | 6.86 | 6.0 | 6.02 / 6.14 | 1.75 | 4.8 | SW 6 |
| M16 | 4.00 | 9.15 | 8.0 | 8.02 / 8.18 | 2.00 | 6.4 | SW 8 |
| M20 | 5.00 | 11.43 | 10.0 | 10.02 / 10.18 | 2.50 | 8.0 | SW 10 |

| nominal size | Length (l) | |
|--------------|------------|-------|
| | min. | max. |
| 4 | 3.76 | 4.24 |
| 5 | 4.76 | 5.24 |
| 6 | 5.76 | 6.24 |
| 8 | 7.71 | 8.29 |
| 10 | 9.71 | 10.29 |
| 12 | 11.65 | 12.35 |
| 16 | 15.65 | 16.35 |
| 20 | 19.58 | 20.42 |

| nominal size | Length (l) | |
|--------------|------------|-------|
| | min. | max. |
| 25 | 24.58 | 25.42 |
| 30 | 29.58 | 30.42 |
| 35 | 34.50 | 35.50 |
| 40 | 39.50 | 40.50 |
| 45 | 44.50 | 45.50 |
| 50 | 49.50 | 50.50 |
| 60 | 59.40 | 60.60 |

All technical data refer to the measure mm



ISO 4027 identical with DIN 914

Set screws

Hexagon socket | with cone point

Stainless steel A4 | Cr(VI)-free | Metric thread

| Diameter (d) | Length (l) | | | | | | | | | | | | | | |
|-----------------|------------|---|---|---|----|----|----|----|----|----|----|----|----|----|----|
| | 4 | 5 | 6 | 8 | 10 | 12 | 16 | 20 | 25 | 30 | 35 | 40 | 45 | 50 | 60 |
| M3 | ● | ● | ● | ● | ● | ● | ● | | | | | | | | |
| M4 | ● | ● | ● | ● | ● | ● | ● | ● | | | | | | | |
| M5 | | ● | ● | ● | ● | ● | ● | ● | ● | | | | | | |
| M6 | | | ● | ● | ● | ● | ● | ● | ● | ● | | | | | |
| M8 | | | | ● | ● | ● | ● | ● | ● | ● | ● | ● | | | |
| M10 | | | | | ● | ● | ● | ● | ● | ● | ● | ● | ● | ● | |
| M12 | | | | | | ● | ● | ● | ● | ● | ● | ● | ● | ● | ● |
| M16 | | | | | | | ● | ● | | ● | ● | ● | ● | ● | ● |
| M20 | | | | | | | | | ● | | ● | ● | ● | ● | ● |

• Combinations available in the eShop | Other sizes on request

All technical data refer to the measure mm

