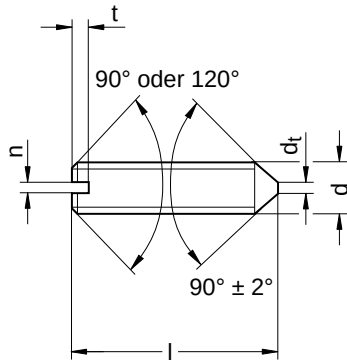


ISO 7434 similar to DIN 553

Set screws

With slot and cone point

Stainless steel 1.4305 | Cr(VI)-free | Metric thread



Diameter (d)	dt max.	n			Pitch (P)	t	
		nominal size	min.	max.		max.	min.
M2	0.20	0.25	0.31	0.45	0.40	0.84	0.64
M2.5	0.25	0.40	0.46	0.60	0.45	0.95	0.72
M3	0.30	0.40	0.46	0.60	0.50	1.05	0.80
M4	0.40	0.60	0.66	0.80	0.70	1.42	1.12
M5	0.50	0.80	0.86	1.00	0.80	1.63	1.28
M6	1.50	1.00	1.06	1.20	1.00	2.00	1.60
M8	2.00	1.20	1.26	1.51	1.25	2.50	2.00
M10	2.50	1.60	1.66	1.91	1.50	3.00	2.40

nominal size	Length (l)	
	min.	max.
3	2.8	3.2
4	3.7	4.3
5	4.7	5.3
6	5.7	6.3
8	7.7	8.3
10	9.7	10.3
12	11.6	12.4
16	15.6	16.4

nominal size	Length (l)	
	min.	max.
20	19.6	20.4
25	24.6	25.4
30	29.6	30.4
35	34.5	35.5
40	39.5	40.5
45	44.5	45.5
50	49.5	50.5

All technical data refer to the measure mm



ISO 7434 similar to DIN 553

Set screws

With slot and cone point

Stainless steel 1.4305 | Cr(VI)-free | Metric thread

Diameter (d)	Length (l)														
	3	4	5	6	8	10	12	16	20	25	30	35	40	45	50
M2	●	●	●	●	●		●	●							
M2.5	●	●	●	●	●	●	●								
M3		●	●	●	●	●	●								
M4				●	●	●	●	●	●						
M5				●	●	●		●	●						
M6					●			●	●	●	●				
M8						●			●	●	●	●	●		
M10							●		●	●	●			●	●

• Combinations available in the eShop | Other sizes on request

All technical data refer to the measure mm

