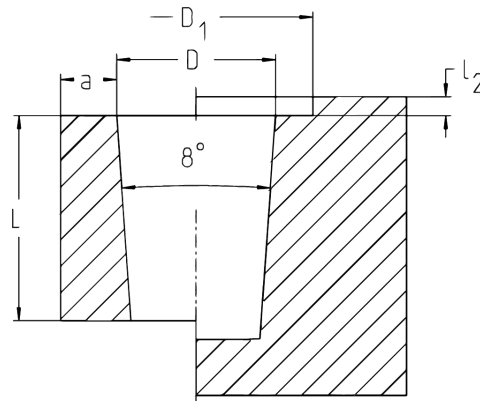
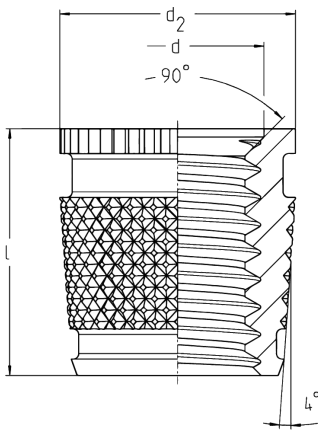
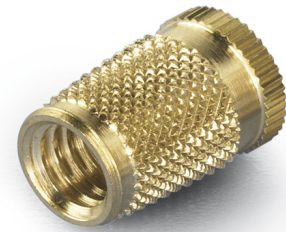


HITSERT® 2

Brass | type 0932 | standard

Advantages:

- Ideal for thermoplastic parts
- Especially designed for thermal installation
- Screw-locked and low-tension anchoring
- High pull-out values
- Efficient installation due to single-spindle, multiple-spindle or automatic machines with preheating device



Diameter (d)	Article number	d ₃ nominal size	Length (l) nominal size	a min.	l ₂	D1	Outer diameter (d2)	L min.
M 2	09321020005	5	5.0	1.5	0.6	5.2	4.1	6.0
M 2.5	09321250005	6	5.0	1.5	0.6	6.2	4.1	6.0
M 3	09321030005	-	5.0	1.8	-	6.2	4.7	6.0
	09321030055	6	5.5	1.8	0.6			6.5
M 3.5	09321350006	7	6.0	1.8	0.8	7.2	5.5	7.0
M 4	09321040006	-	6.0	2.0	-	8.2	5.9	7.0
	09321040075	8	7.5	2.0	0.8			8.5
M 5	09321050007	-	7.0	2.0	-	8.7	7	8.0
	09321050009	8.5	9.0	2.5	1.0			10.0
M 6	09321060009	-	9.0	2.5	-	10.2	8.6	10.0
	09321060010	10	10.0	2.5	1.0			11.0
M 8	09321080012	12	12.0	3.0	1.0	12.2	11.1	13.0

All technical data refer to the measure mm

