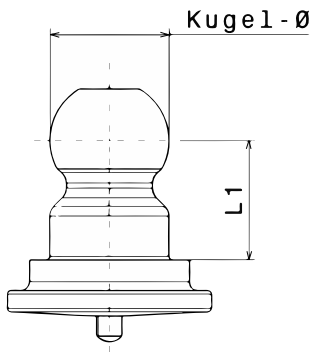


SNAPLOC® Ball studs

For injection moulding



Article number	Depth (L1)	Colour	Ball diameter (D)
04990850003	7	black	7

All technical data refer to the measure mm

