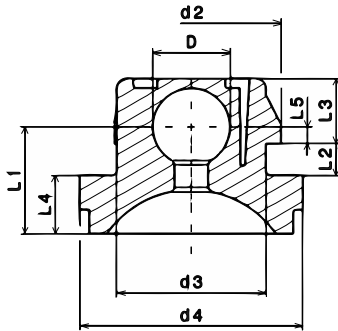


# SNAPLOC® Coupling

For plate fastening - High temperature applications



Article number	d <sub>2</sub> nominal size	Depth (L1)	Colour	Ball diameter (D)	d <sub>3</sub> nominal size	d <sub>4</sub>	Hardness	L <sub>4</sub>	L <sub>5</sub>	Material thickness (L2)
40590070010	16.5	8.0	black	7	14	20	60 Shore A	3.5	2	2 - 2.5
40590080083	18.5	10.5	grey	8	16	26	50 Shore A	3.5	4.6	2 - 2.5
40590080084	18.5	11.0	grey	8	15.4	23	70 Shore A	6.0	1.55	3.3
40590100079	16.5	7.5	black	10	14	20	70 Shore A	3.5	3.2	2 - 2.5
40590100080	21.5	10.9	black	10	16	25	65 Shore A	3.5	6	2 - 3
40590100081	21.5	10.9	black	10	16	25	70 Shore A	3.5	6	2 - 3
40590100082	22.5	11.0	grey	10	16	25	70 Shore A	3.5	6	2.5 - 3.2
42690230701	12.4	8.0	black	7	10	16	33 Shore D	1.5	5.2	1 - 2

All technical data refer to the measure mm

